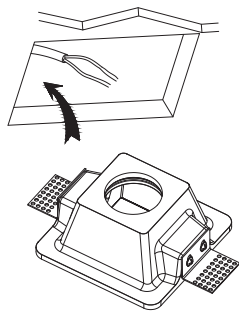
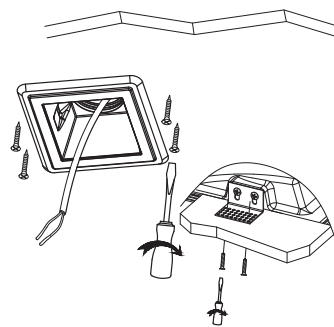


1. Turn off the general switch

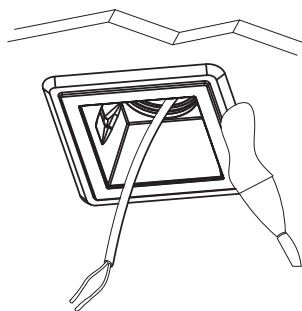
2. Apply the side screws



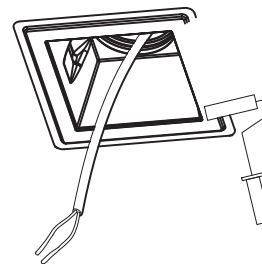
3. Apply the product in



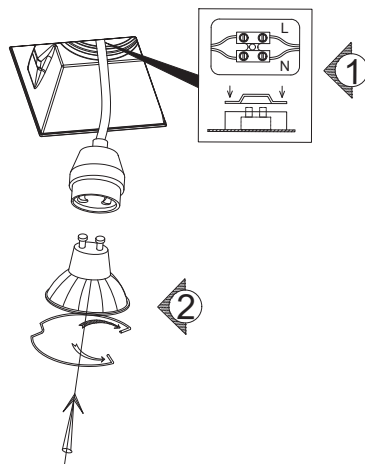
4. Apply screws to make it stable



5. Apply cement to make it smooth

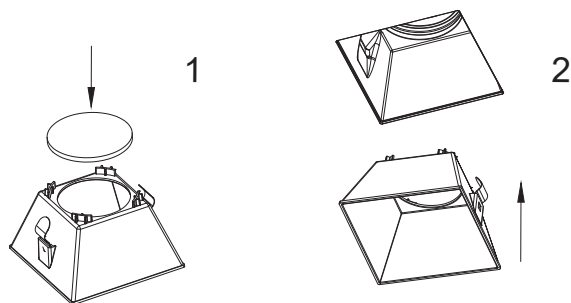


6. Apply paint



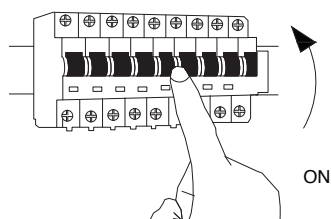
7. Connect the bulb

---



8. Put it in place

---



9. Turn on the general switch