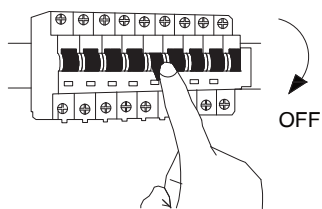
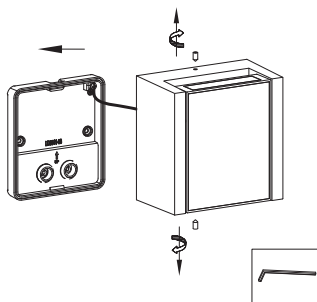


1



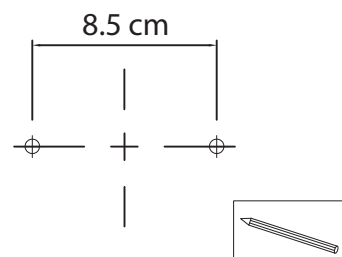
Turn off the general switch

2



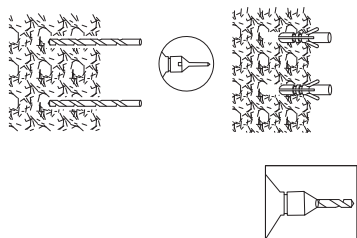
Dismantle parts by untying screws

3



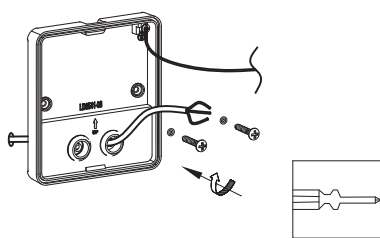
Mark holes

4



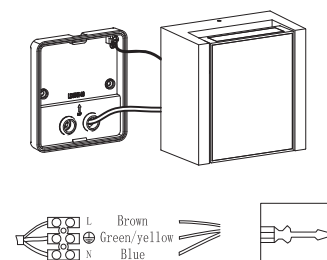
Drill holes & apply plastic anchors

5



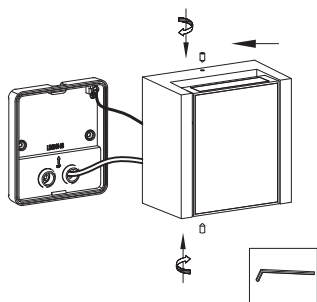
Fix it in place by tying up screws

6



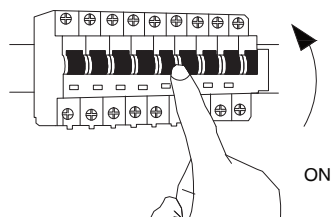
Connect wires

7



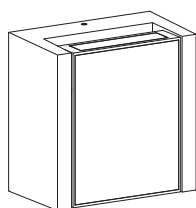
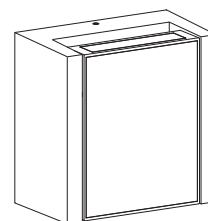
Tie up side screws to make it stable

8

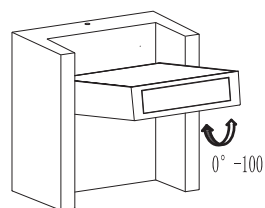


Turn on the general switch

9



The light will go up and down when the head rotation is less than 20°



The light will go down when the head rotation is more than 20°

