

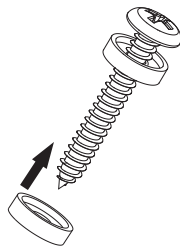
Safety Instructions

To ensure correct function and safety, please read and follow all instructions carefully before using the product:

1. Turn off power supply before installation or before doing any maintenance work.
2. Do not install any luminaire near the heat source.
3. Do not exceed the nominal supply voltage or amperage ratings.
4. All wiring and installation of the light fitting must adhere to local and national wiring rules.
5. Take care not to pull any electrical wires during unpacking as this may damage the connection.
6. Lay out all the components on a smooth surface and make sure there are no components missing before assembling.
7. To avoid injury or damage to the fitting, please ensure that power leads and screws are secure before connecting the power.
8. Please keep instructions for future reference.
9. Please refer to IP(Ingress Protection) rating of this luminaire when deciding the location of installation.

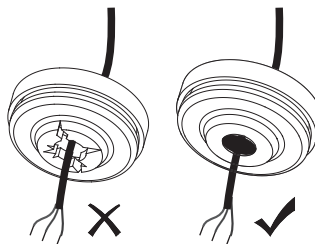
Waterproof Installation Tips(If applicable)

Waterproof gasket for screwing



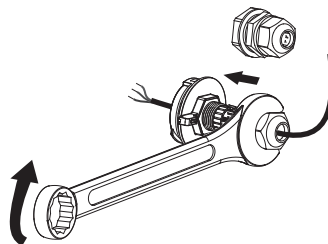
Fasten the waterproof gasket into the mounting screw to prevent water from leaking inside.

Waterproof grommet for cable entry



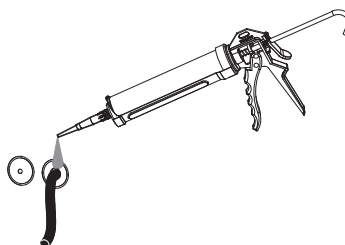
If there is gap between cable and waterproof grommet, please fill it with water-resistant silicone caulk to prevent water from leaking inside.

Waterproof cable Gland for mains entry



Ensure that the waterproof cable gland is tightened to prevent water from leaking inside.

Water-resistant silicone caulk in knock out hole

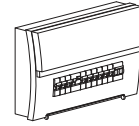


Caulks in knock out holes are tight enough to avoid dust, insects, and especially water from leaking inside.

Installation Procedure








⚡ WARNING:

1. Switch off before installation.
2. Switch on only after complete installation and examination of the circuit.

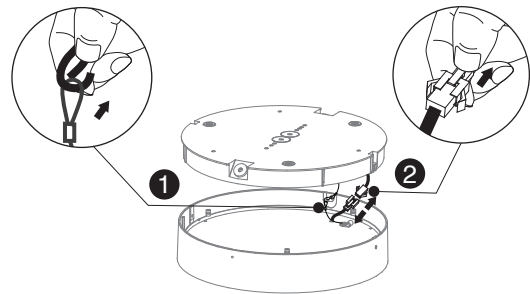
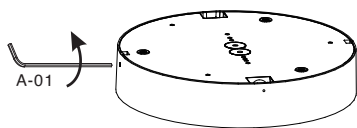


**Turn Off
Power Supply**

Surface mount installation

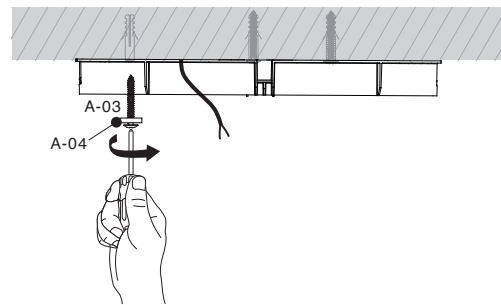
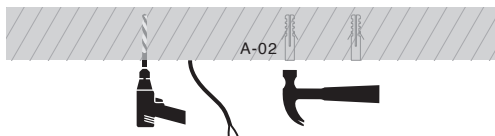
Code	A-01 	A-02 	A-03 	A-04 	A-05 	A-06 
12inch	x1	x3	x3	x3		x2
16inch	x1	x3	x3	x3	x2	x2

Pendant Installation



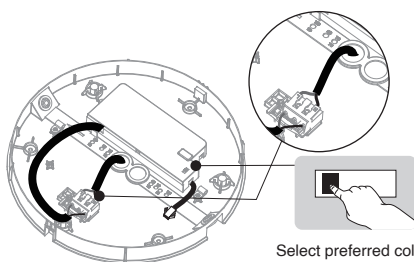
1. Untie the side screws to remove the cap

2. Connect the suspension wire & connect wires by clicking them

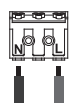



3. Mark, drill holes & apply plastic anchors

4. Tighten the screws to make the base stable

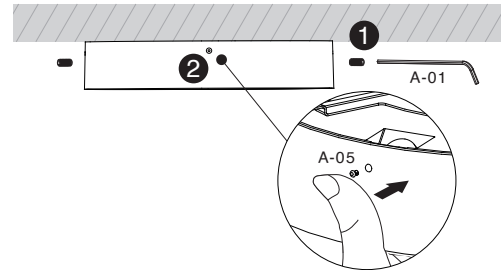
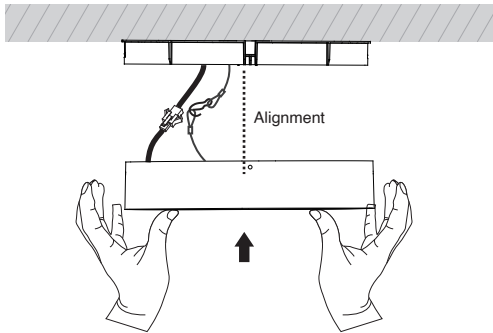


Select preferred colour temperature for product in CCT change function only

Standard	DALI
	
N=Neutral L=Switched	L=Switched N=Neutral DA/V+=DIM+ DA/V-=DIM-

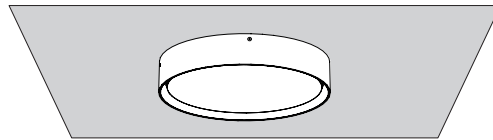
Wire diameter: 0.5-2.5mm²
Wire stripping length: 8-10mm

5. Connect wires



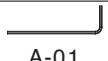
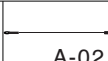




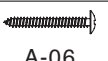

6. Press the light upwards for applying it

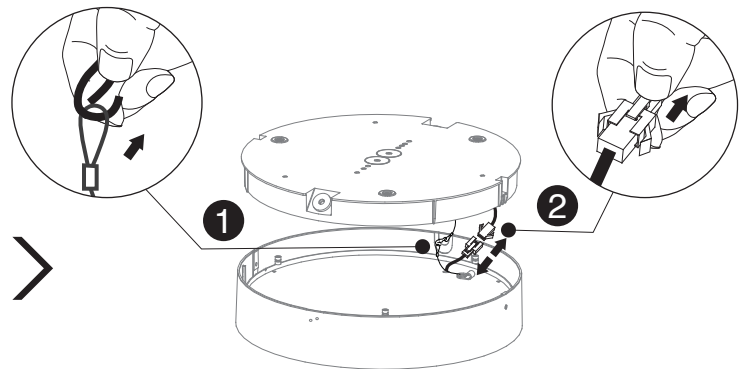
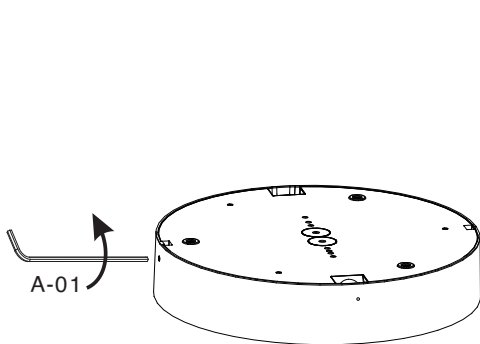
7. Apply side screws & tie them into place



COMPLETE

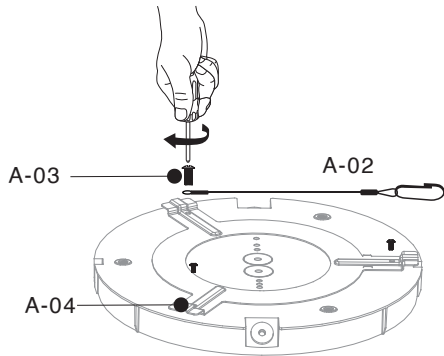
Recessed installation

Code								
	A-01	A-02	A-03	A-04	A-05	A-06	A-07	A-08
12inch	x1	x1	x3	x1	x1	x8	x8	x4
16inch	x1	x1	x3	x1	x1	x10	x10	x5

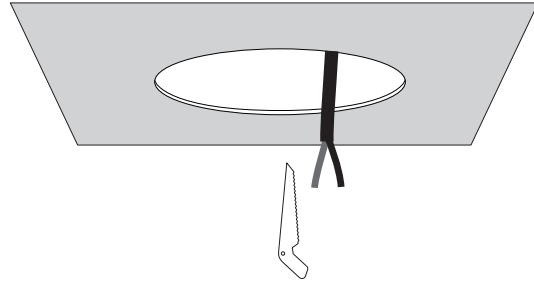


1. Untie the side screws to remove the cap

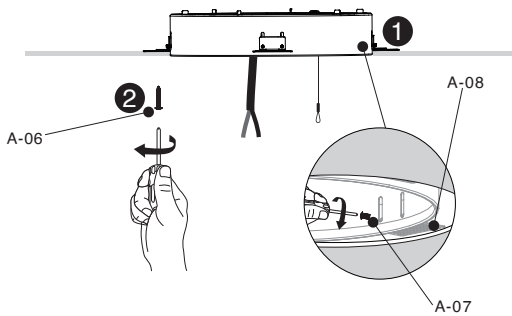
2. Connect the suspension wire & connect wires by clicking them



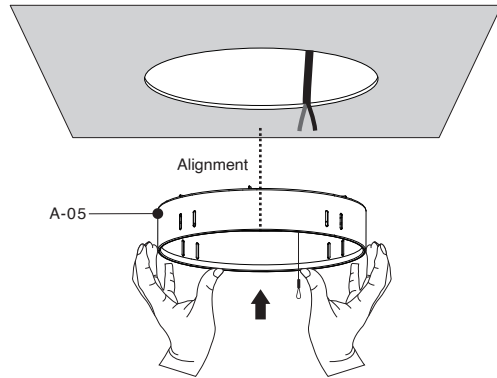
3. Apply screws accordingly & connect the suspension cord



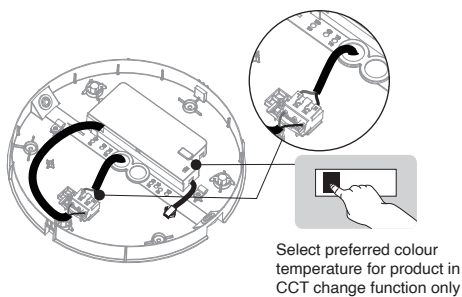
4. Create a CutOut



5. Apply inside screws & then tide up the outside screws of the base



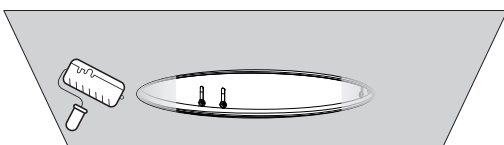
6. Align & place the A-05 in the CuOut



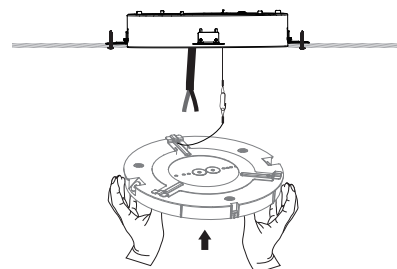
Standard	DALI
N=Neutral L=Switched	L=Switched N=Neutral DA/V+=DIM+ DA/V-=DIM-

Wire diameter: 0.5-2.5mm²
Wire stripping length: 8-10mm

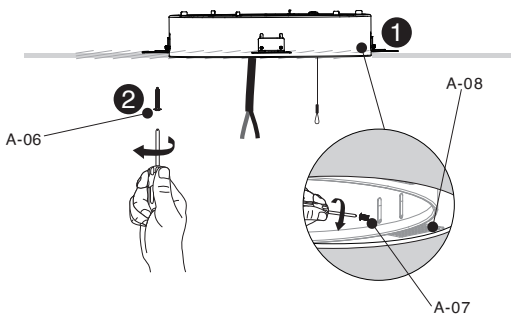
7. Connect wires



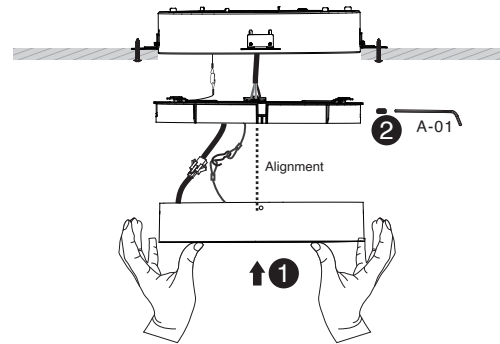
8. Cover with paint/ product of your choice



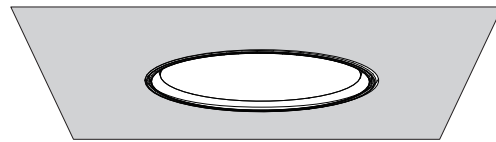
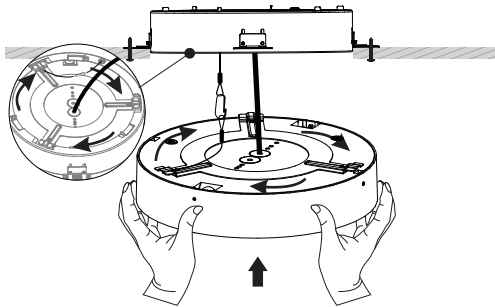
9. Press the light upwards to put it in place



10. Apply screws accordingly & tide up the base into place



11. Align the parts & apply side screws to connect them

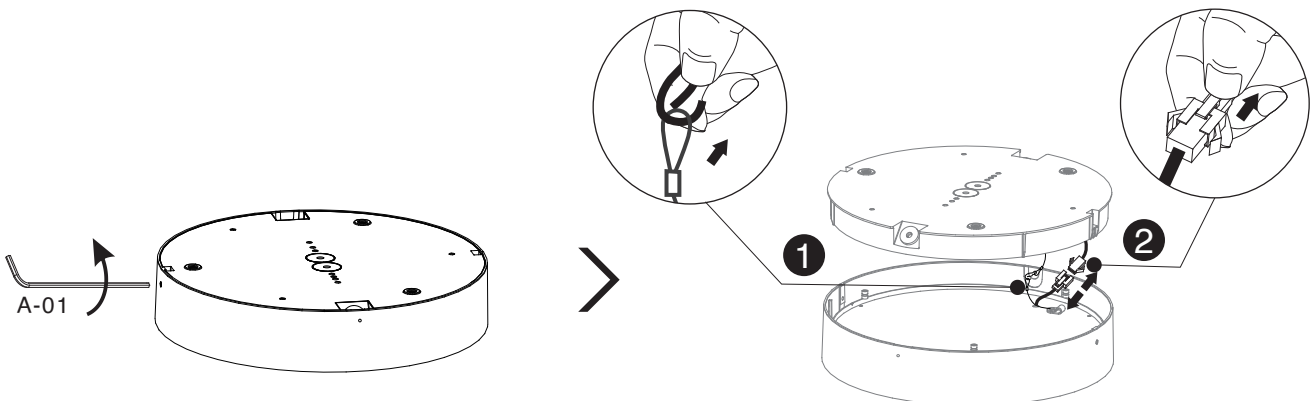


COMPLETE

12. Press upwards to put it in place

Pendant installation (With round ceiling plate)

Code	A-01	A-02	A-03	A-04	A-05	A-06	A-07
12inch	x1	x1	x3	x1	x2	x2	/
16inch	x1	x1	x3	x1	x2	x2	x2

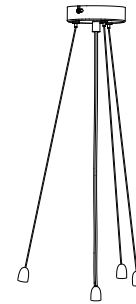
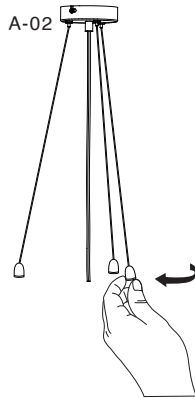


1. Untie the side screws to remove the cap

2. Connect the suspension wire & connect wires by clicking them

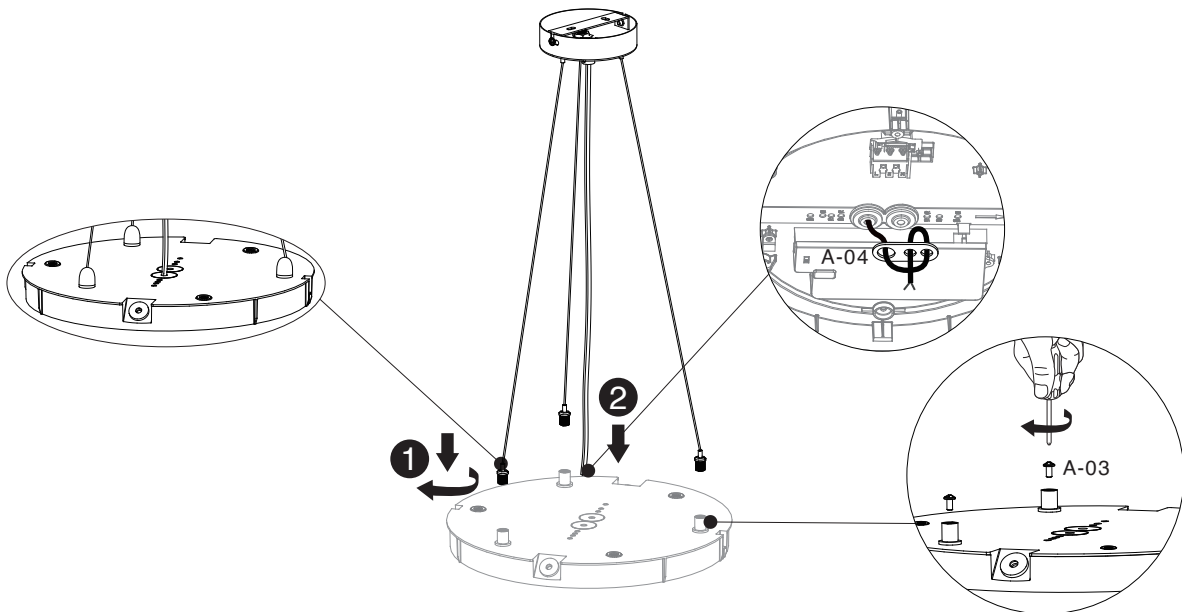
NOVA LUCE

9540315

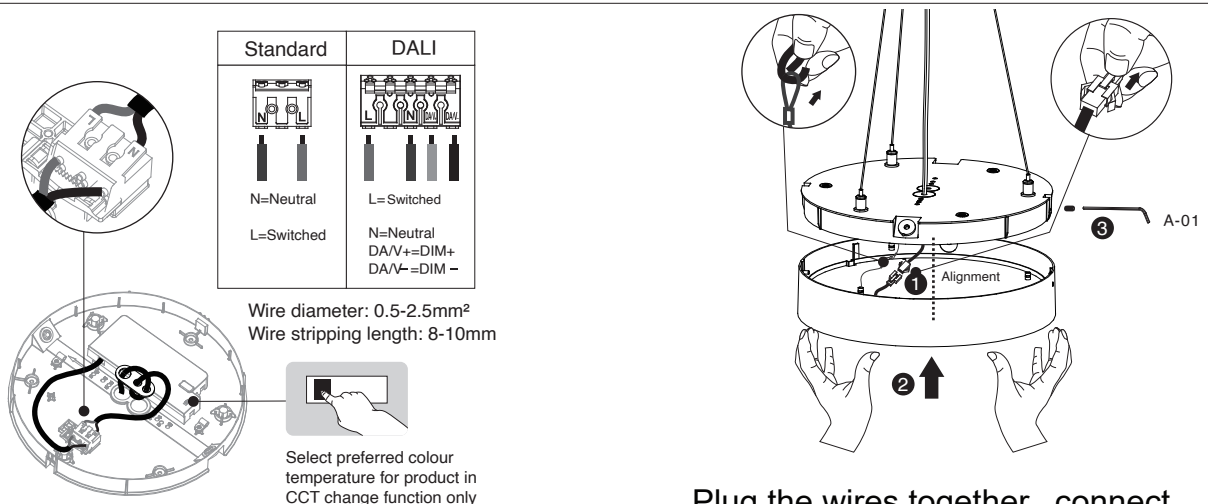


3. Apply the accessory by tiding it up

4. Connect wires

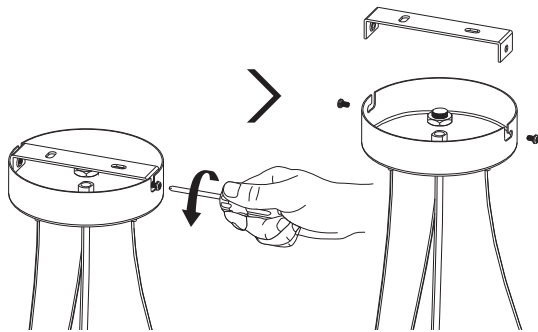


5. Plug the cords into place & make them stable by tiding up the screws

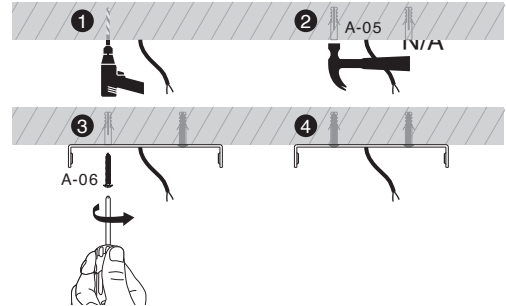


6. Connect wires

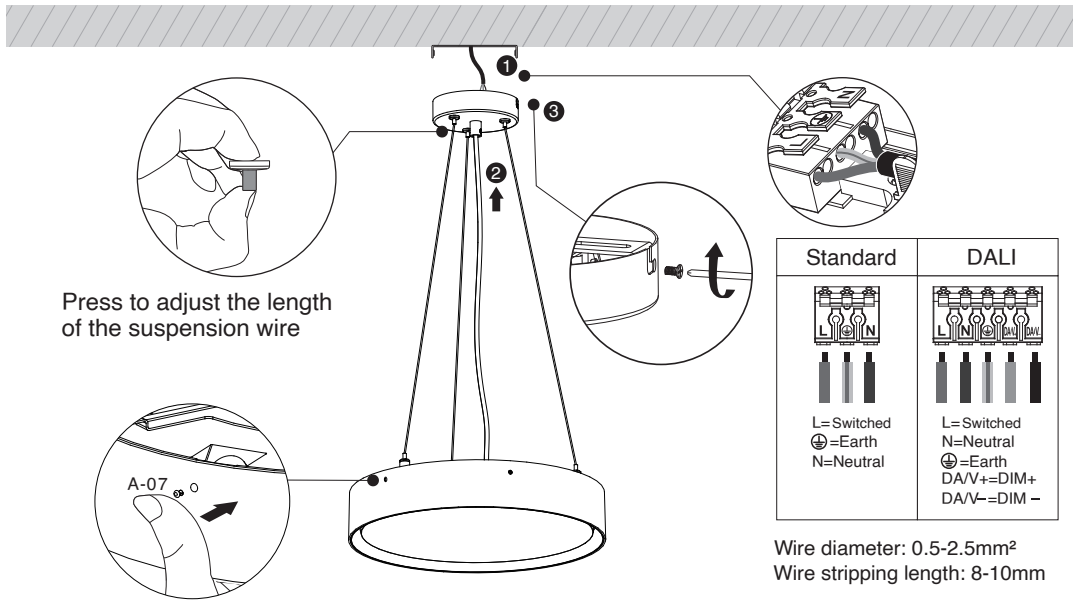
7. Plug the wires together, connect the suspension wire & align the light by pressing it upwards



8. Apply side screws



9. Mark, drill holes & apply the base by tidying it up into place



10. Apply side screws by tidying the up, connect wires, tide up side screws & press the base upwards to put it in place

