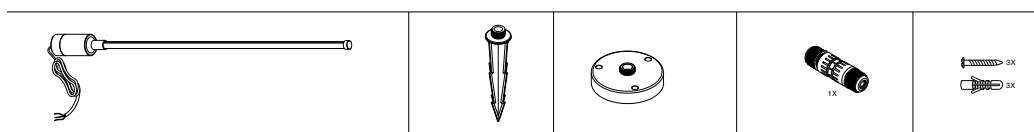
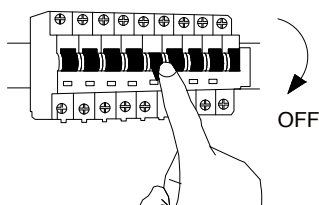


Package Content

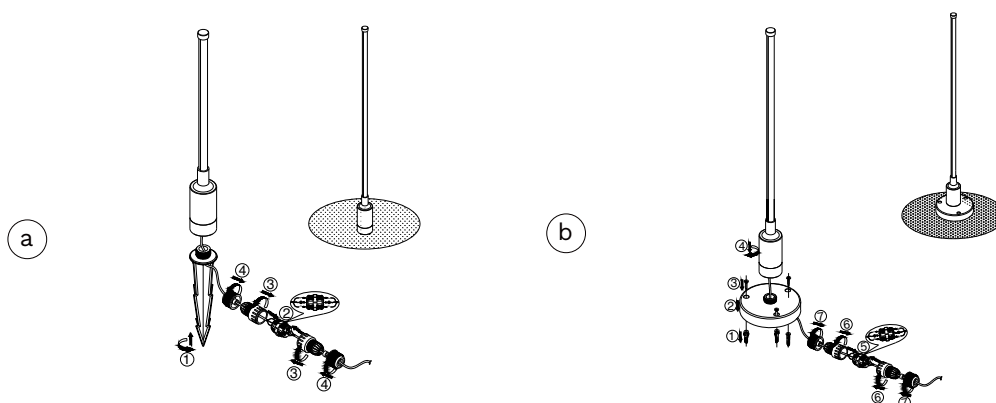


1



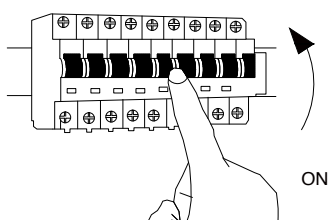
Turn off the general switch

2



Connect the wires

3



Turn on the general switch

