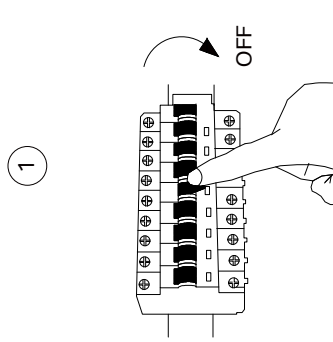
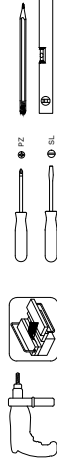
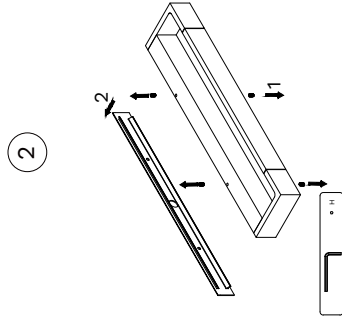


NOVA LUCE

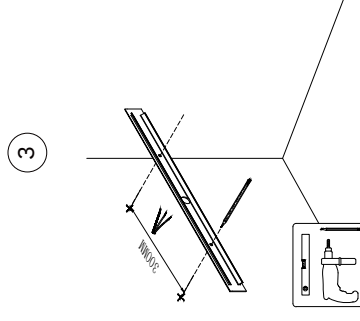
9030705 9030706



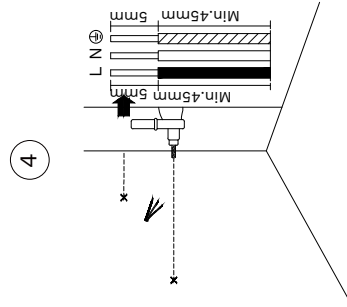
Turn off the general switch



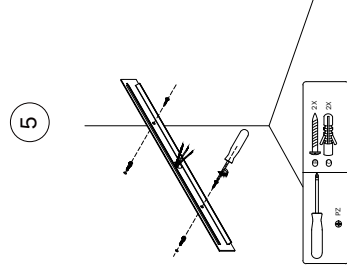
Remove the nuts



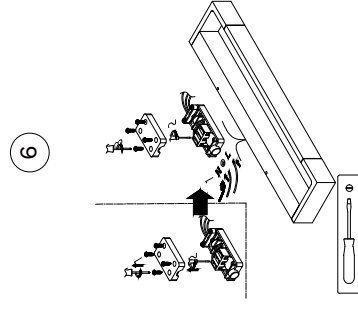
Mark where to drill



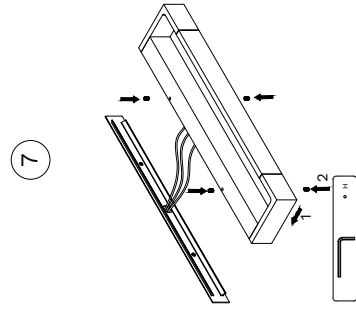
Drill holes



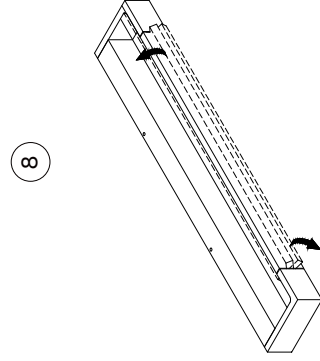
Apply plastic anchors
with screws



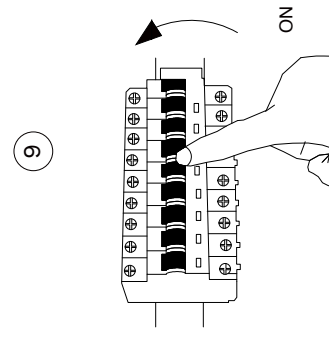
Connect wires



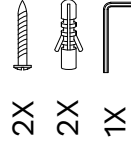
Apply nuts



Rotatable



Turn on the general switch



2X
2X
1X

