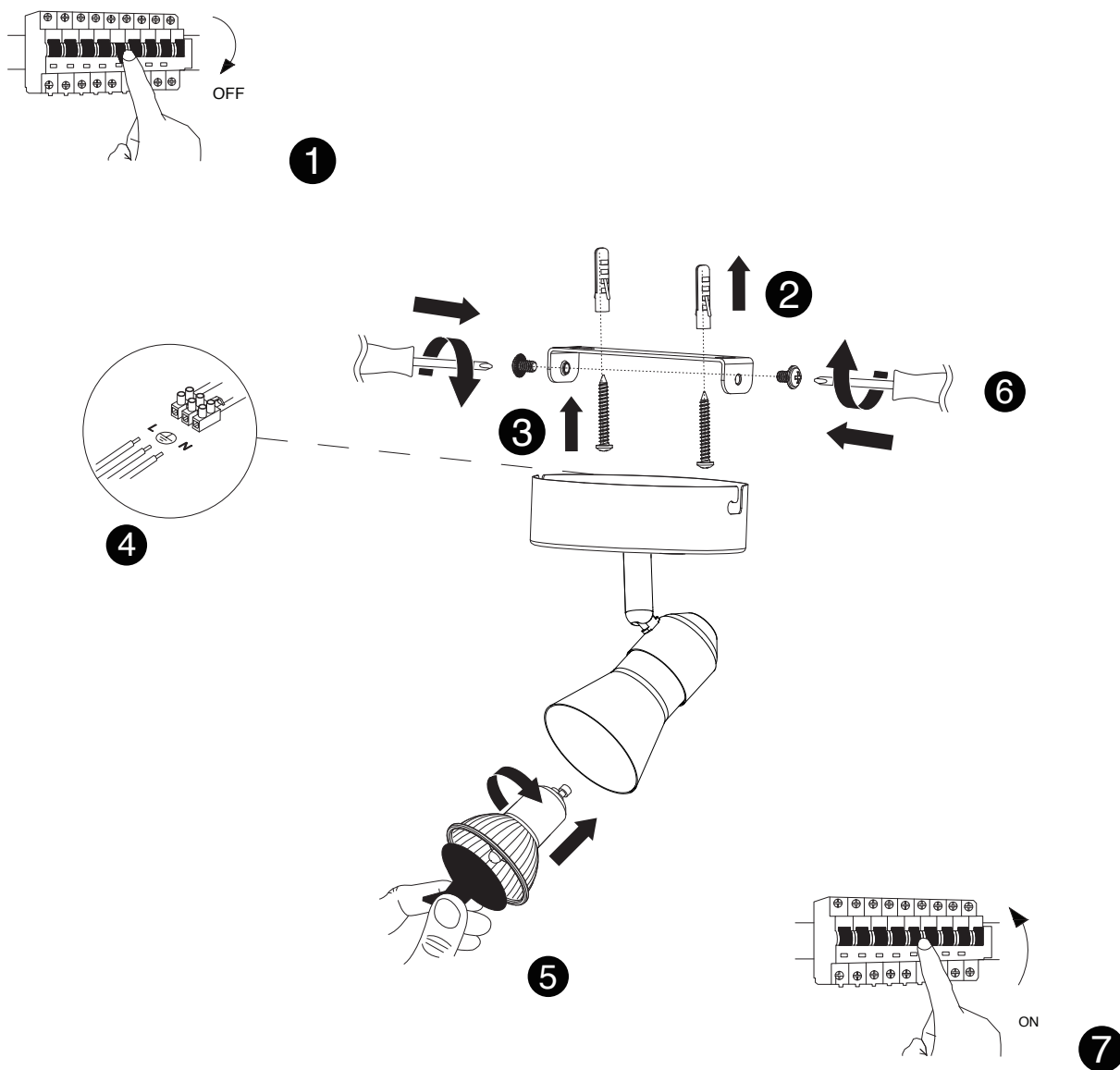


NOVA LUCE

663001



1. Turn off the general switch

2. Drill holes and apply plastic anchors

3. Apply screws

4. Connect the wires

5. Place the bulb & the product in to place

6. Apply the side screws

7. Turn on the general switch