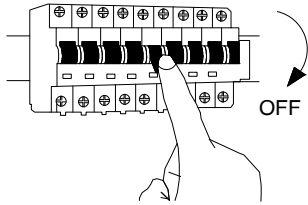
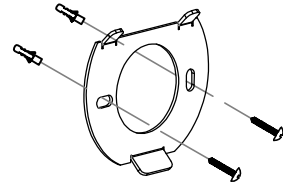


1



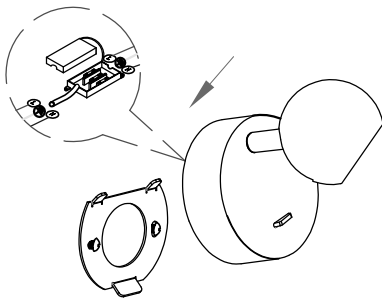
Turn off the general switch

2



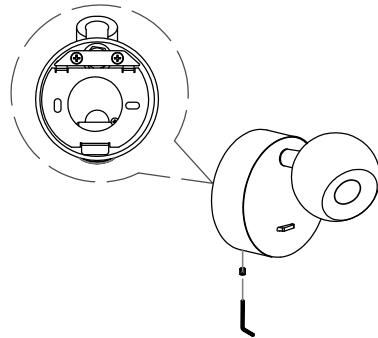
Mark & drill holes, apply plastic anchors  
Tie up screws to make it stable

3



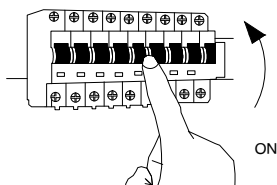
Connect wires

4



Tie up side screws to make it stable

5



Turn on the general switch

6

