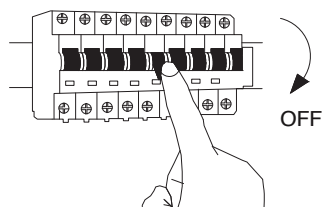
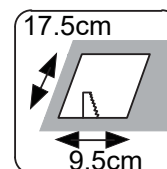
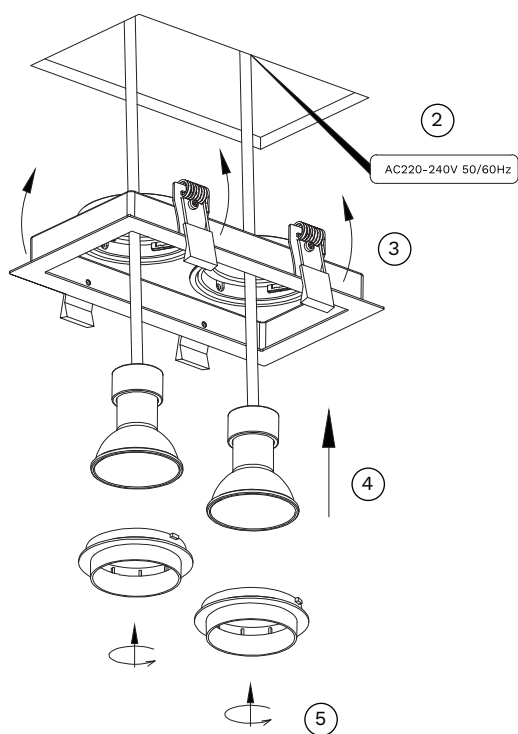


①

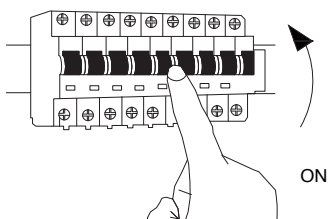


Turn off the general switch



- ② Make the cut out
- ③ Apply the product in to place
- ④ Apply the light
- ⑤ Apply the caps

⑥



Turn on the general switch

