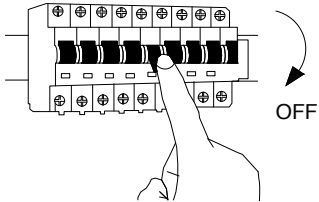


NOVA LUCE

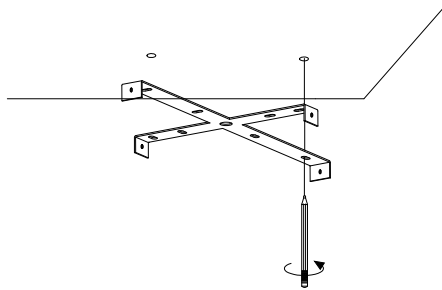
9130643

①



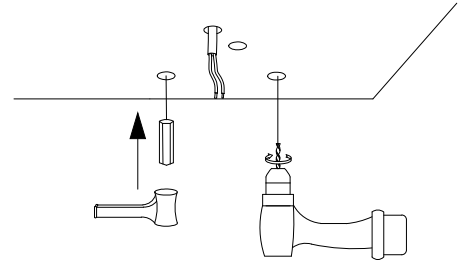
Turn off the general switch

②



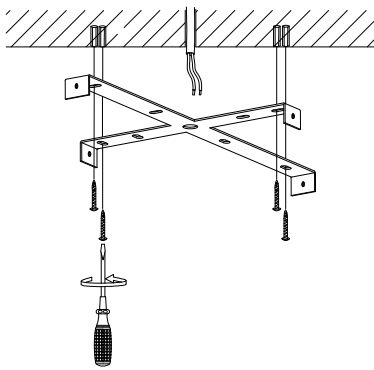
Mark where to drill holes

③



Make holes & apply anchors

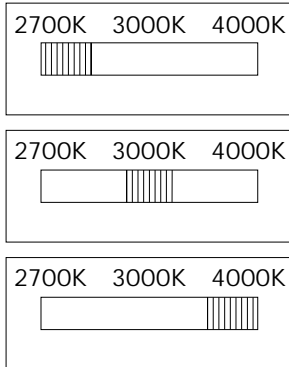
④



Tie up the screws to make it stable

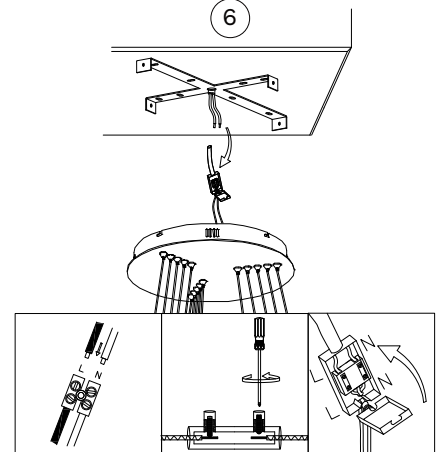
⑤

CCT switch in canopy



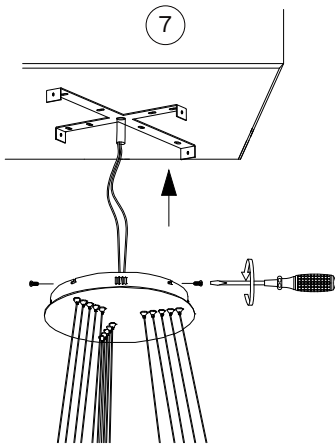
Choose the color temperature

⑥



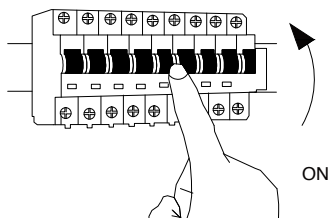
Connect the wires

⑦



Put it in place & Apply side screws

⑧



Turn on the general switch

⑨

