

# NOVA LUCE

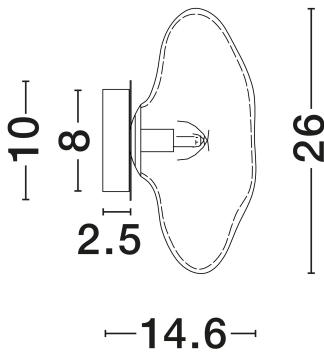
PRODUCT DATASHEET

Version: 001

## PRODUCT PHOTOGRAPH



## TECHNICAL DRAWING



## GENERAL INFORMATION

|                         |         |
|-------------------------|---------|
| Product Code            | 9006035 |
| Collection              | Indoor  |
| Product Category        | Wall    |
| Product Family          | King    |
| Mounting Location       | Wall    |
| Application Environment | Indoor  |
| Specifications          | N/A     |

## DIMENSION & WEIGHT

|              |               |
|--------------|---------------|
| LxWxH (cm)   | D: 26 H: 14,6 |
| Cut Out (cm) | N/A           |
| Weight (Kgr) | 1.4           |

## MATERIAL & COLOR

|               |                          |
|---------------|--------------------------|
| Product Color | Brass Gold & Blown Clear |
| Body Material | Metal & Glass            |

## APPLICATION & MOUNTING

|                        |          |
|------------------------|----------|
| Ambient Working Temp.  | Max 45°C |
| Type of Protection     | IP20     |
| Dimmable               | Yes      |
| Type of Dimming        | N/A      |
| Mounting type          | Surface  |
| Mounting Depth (cm)    | N/A      |
| Led Module Replaceable | Yes      |
| Light Source           | G9       |

NOVA LUCE S.A

Schimatari Viotias  
32009, Greece

+30 22620 58 121  
+30 22620 56 743

info@novaluce.com  
www.novaluce.com



# NOVA LUCE

---

## PRODUCT DATASHEET

Version: 001

---

### ELECTRICAL DATA

|                         |                 |
|-------------------------|-----------------|
| Power (Nominal)         | <b>1x5W</b>     |
| Input voltage (Nominal) | <b>100-240V</b> |
| Mains Frequency         | <b>50/60Hz</b>  |

### PHOTOMETRICAL DATA

|                           |            |
|---------------------------|------------|
| Luminous Flux             | <b>N/A</b> |
| Color Temperature         | <b>N/A</b> |
| Light Color (Designation) | <b>N/A</b> |

### WARRANTY

|          |                |
|----------|----------------|
| Warranty | <b>3 Years</b> |
|----------|----------------|

### CERTIFICATES

|              |                |
|--------------|----------------|
| Certificates | <b>CE,UKCA</b> |
|--------------|----------------|

