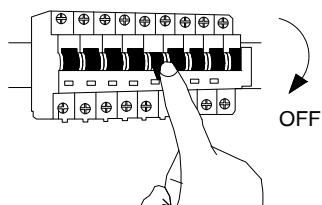
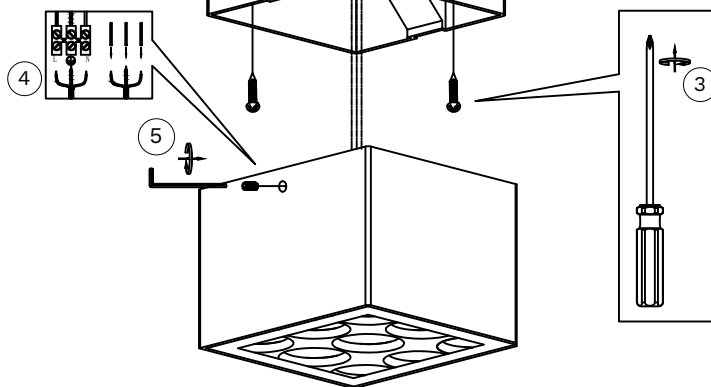
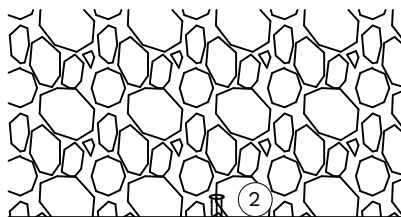


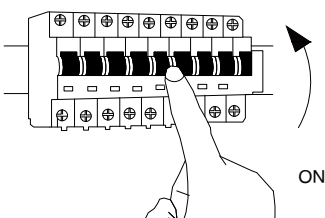
1



Turn off the general switch



5



Turn on the general switch

1. Turn off general switch
2. Drill holes & apply plastic anchors
3. Tie up screws to make it stable
4. Connect the wires
5. Tie up side screws
6. Turn on the general switch

