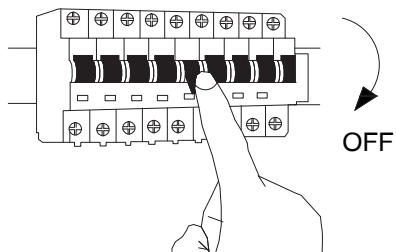


NOVA LUCE

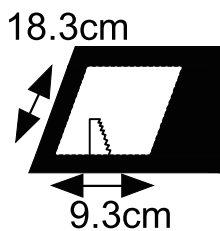
6207

1



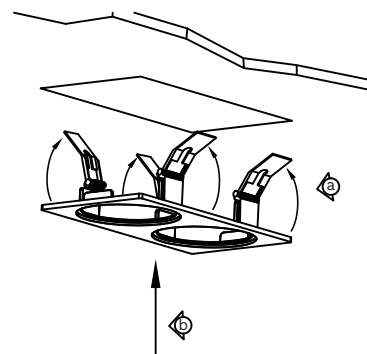
Turn off the general switch

2



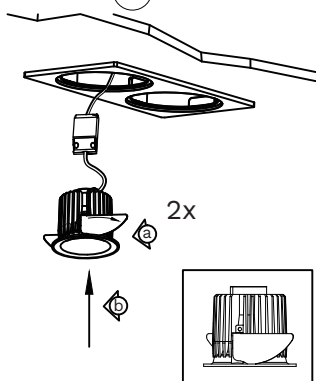
Create a CutOut

3



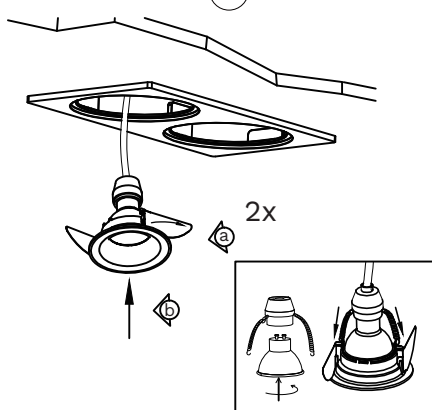
Connect wires
Press the brackets upwards
& fix it into place

4



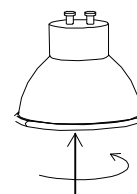
Rotate the brackets
& fix it into place upwards

5



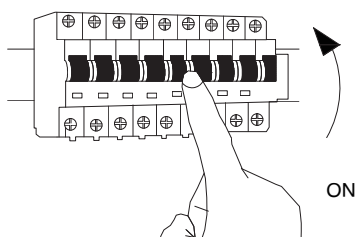
Rotate the brackets
& fix it into place upwards

6



Apply the bulbs by rotate

7



Turn on the general Switch

