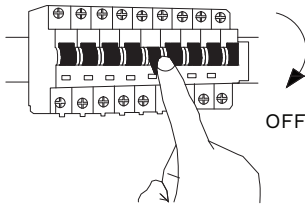


NOVA LUCE

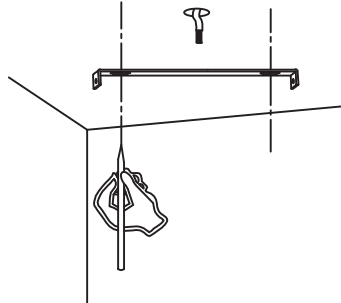
9501207/ 9501208

1



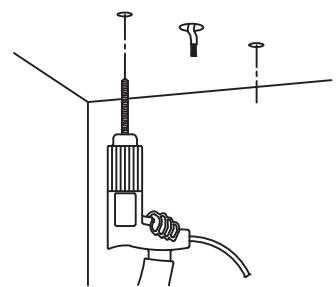
Turn off the general switch

2



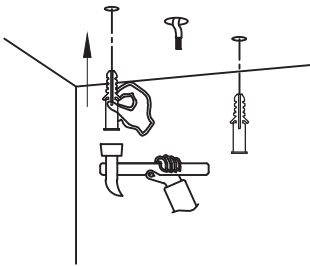
Mark the desirable position of installation

3



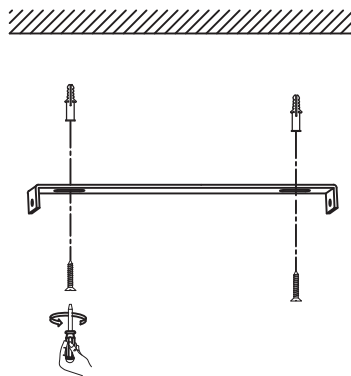
Drill holes

4



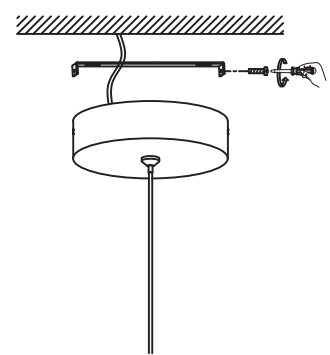
Apply plastic anchors

5



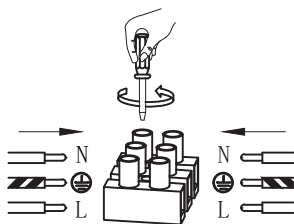
Tie up screws to make it stable

6



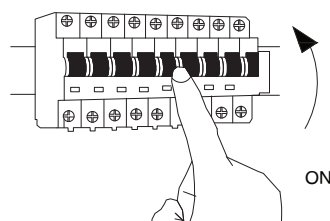
Connect wires

7



Connect wires

8



Turn on the general switch

