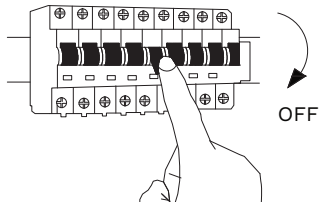


NOVA LUCE

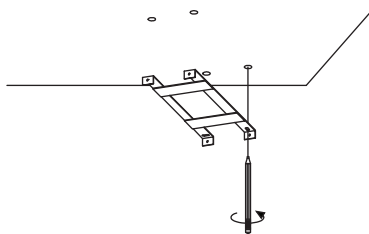
9756719

①



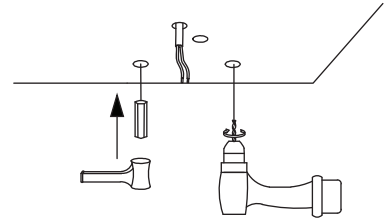
Turn off the general switch

②



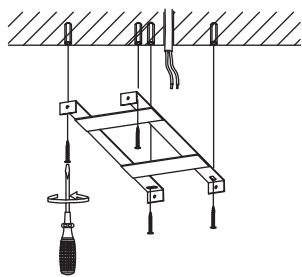
Mark where to drill holes

③



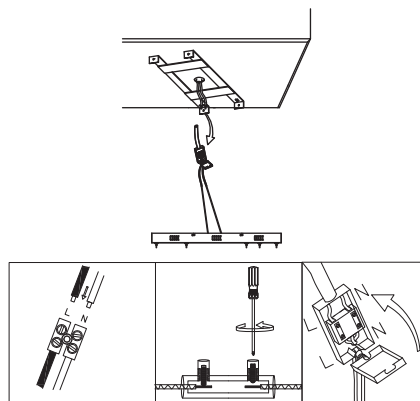
Make holes & apply anchors

④



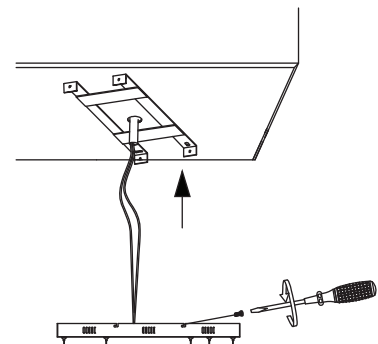
Tie up the screws
to make it stable

⑤



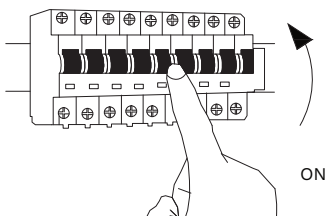
Connect the wires

⑥



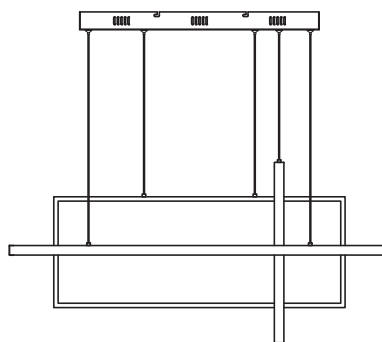
Fix the luminaire into place
by tying up the side screws

⑦

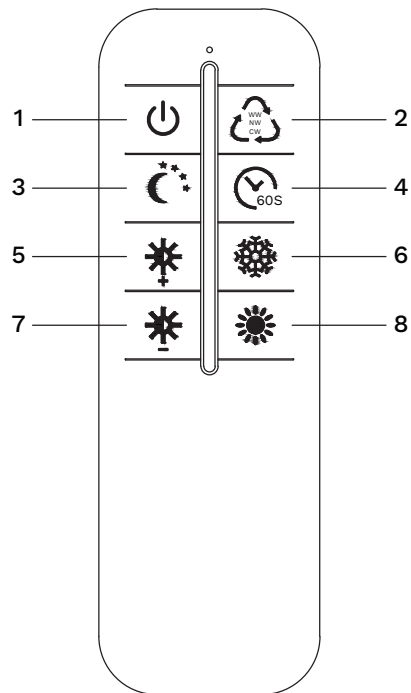










Turn on the general switch

⑧



2.4G REMOTE CONTROL INSTRUCTIONS



1.  ON/OFF Switch: Switch on light, within three seconds and press this button once, if the light flashes three times, the pairing is successful.
2.  Color temperature switch: Yellow-Warm White-White.
3.  Nightlight mode: 10% brightness of Yellow light.
4.  Timing mode: Switches off the light after 60s.
5.  Brightness +: When the lamp is on, press and hold this button down to **increase** the brightness.
6.  Color temperature changes gradually: Hold down this button, to change the color to White.
7.  Brightness -: When the lamp is on, press and hold this button down to **decrease** the brightness.
8.  Color temperature changes gradually: Hold down this button, color to Yellow.

