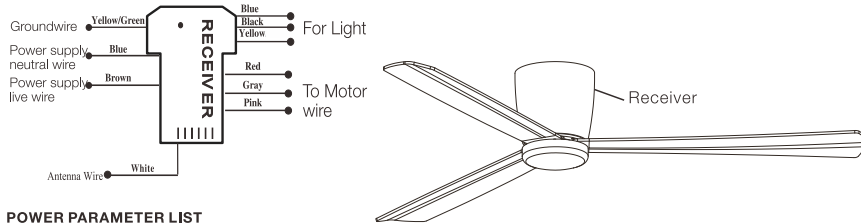


INSTRUCTION FOR DC MOTOR CEILING FAN REMOTE CONTROL

WIRING SCHEMATIC DIAGRAM FOR RECEIVER



POWER PARAMETER LIST

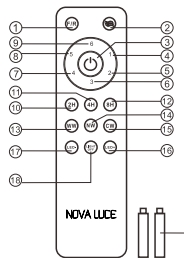
Voltage	Fan(max.)	Lamp(max.)
220~240V	40W	18W

Adopt RF wireless digit emission technique, biunique controlled, coincident code rate is less than one millionth. (Emitter and receiver must be sent back to factory for maintenance if damaged.)

Receiver can be controlled by any angles of the emitter in prescriptive space, unrestricted by direction.

With the memory function, the controller can save the status (light and direction) while the supply power OFF and resume to the original after reload the power supply.

FUNCTION INSTRUCTION OF EMITTER



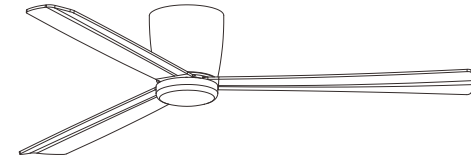
- ① Forward and reverse conversions
- ② Switch gears in order of 1→3→5→2→4→6...and stay for 19s every gear.
- ③ 1. Turn off the fan.
2. Long press for 3s to match the code of transmitter within 10s of power-on, and the code can only be checked once. One receiver can only be controlled by one transmitter.
- ④~⑨ Speed of the fan
- ⑩ Turn off the lights and fans after the 2-hour timeout
- ⑪ Turn off the lights and fans after the 4-hour timeout
- ⑫ Turn off the lights and fans after the 8-hour timeout
- ⑬ Light on with warm light
- ⑭ Light on with neutral light
- ⑮ Light on with cool light
- ⑯ Dimming up, and need about 8s from the darkest to the brightest
- ⑰ Dimming down, and need about 8s from the brightest to the darkest
- ⑱ Turn off the light
- ⑲ 1.5V AAA battery x2 pcs

Remark:
According to the different models, it will have a little different, please in kind prevail

KINDLY REMINDERS:

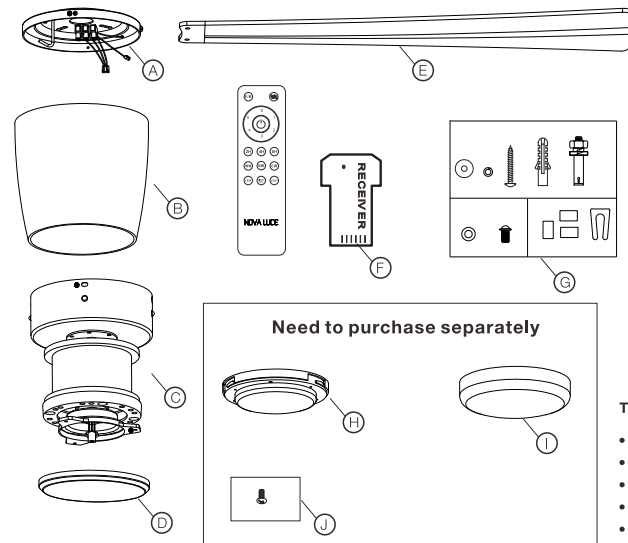
1. Code matching: Long press the "Ⓞ" button 3s within 10s of power-on to match the code, and the buzzer "beeps", the code matching is successful, and the code can be checked only once
2. When the emitter cannot control the receiver, please check the battery switch touching normally or not, correction of the positive and negative, full or empty of the power.
3. Low voltage of battery will affect the sensitivity of the emitter and the signal reception accordingly (the indicated light will flash out its warning when the battery get low voltage), must replace if the battery is getting low voltage.
4. Please take out the battery from the emitter when leaving unused for long time.
5. When installing the fan, the fan ceiling cover don't press the antenna (or other wire), it is easy to breakdown the wire and short-circuited
6. Supporting 200W lighting power at maximum

PS: please connect the ground wire correctly, otherwise it may cause the light micro-light or flash



BEFORE INSTALLATION

Unpack your fan and check contents. You should have the following:



TOOLS AND MATERIALS REQUIRED

- Phillips screwdriver
- Blade screwdriver
- 10 mm wrench
- Step ladder
- Wire cutters

INSTALLATION PREPARATION:

To prevent personal injury and damage, ensure that the hanging location allows the blades a clearance of 7 feet from the floor and 2.5 feet from any wall or obstruction.

This ceiling fan lamp can only be mounted on a ceiling in a non-beveled (non-concave) condition.

HANGING BRACKET INSTALLATION

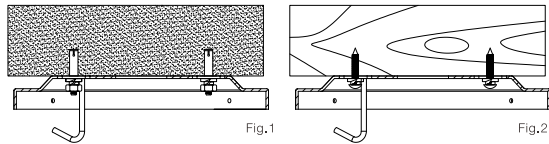
Turn off circuit breakers to current fixture from breaker panel and be sure operating light switch is turned to the OFF position.

WARNING:

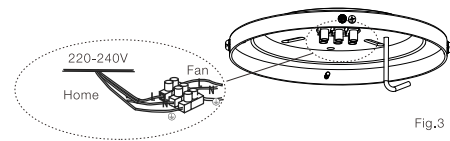
Failure to disconnect power supply prior to installation may result in serious injury.



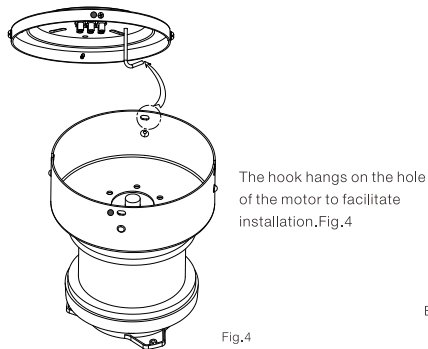
INSTALLATION



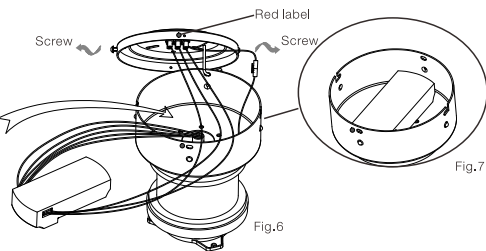
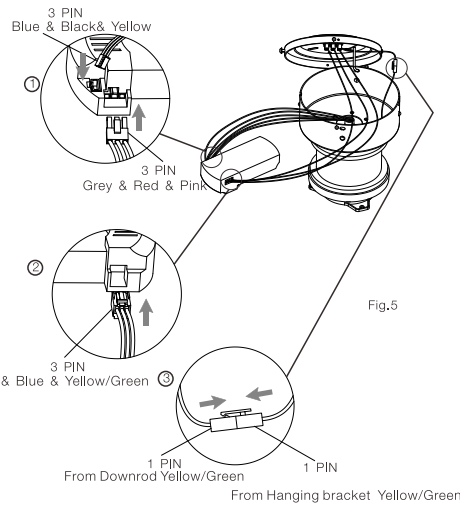
INSTALLING THE MOUNTING BRACKET
For concrete ceiling, drill two holes in the ceiling and secure the mounting bracket to the ceiling with two 0.32" (8mm) (distance between the two holes should be appropriate) expansion screws, flat washers, nuts provided and tighten with a spanner. Fig.1
For wood ceiling, secure the mounting bracket to the ceiling is capable of carrying a load of at least 100lbs (45kg) with two long mounting screws and washers provided. Be sure at least 0.12" (30mm) of the screw is threaded into the support. Fig.2



220-240V Home Fan



The hook hangs on the hole of the motor to facilitate installation. Fig.4



After the wiring is completed, put the controller in the motor box.

