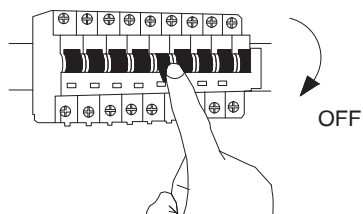


# NOVA LUCE

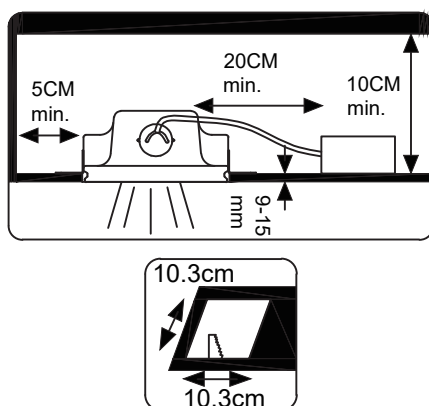
61886001

1



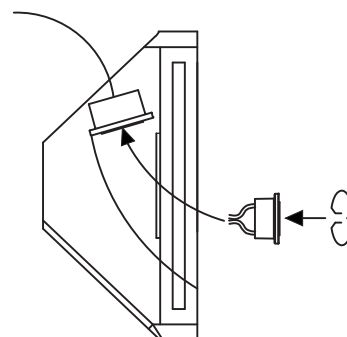
Turn off the general switch

2



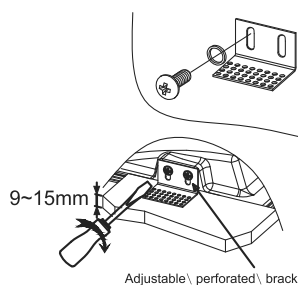
Create a CutOut

3



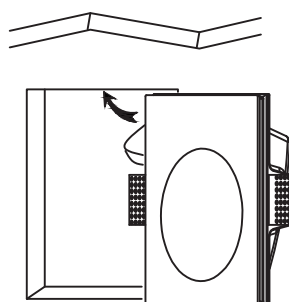
Connect driver

4



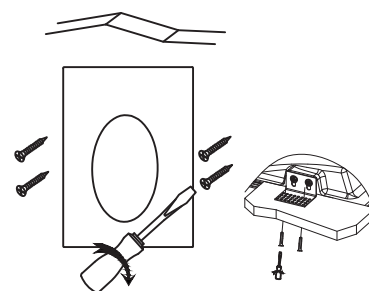
Tie up screws  
to assemble parts

5



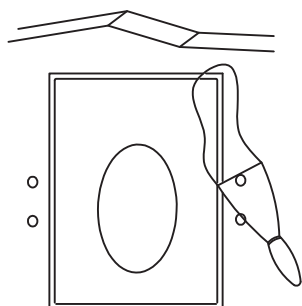
Fix it in place

6



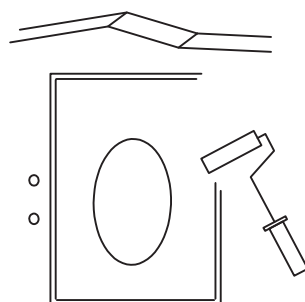
Make it stable  
by tying up screws

7



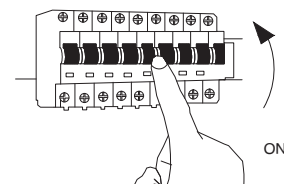
Apply a sealer of your choice

8



Apply a paint of your choice

9



Turn on the general Switch

