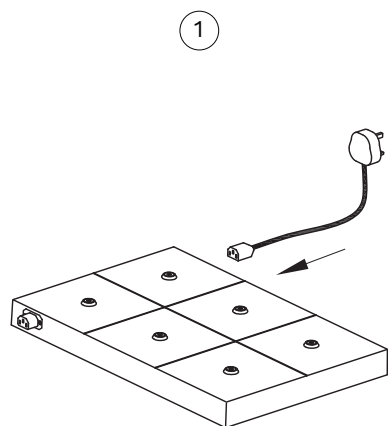
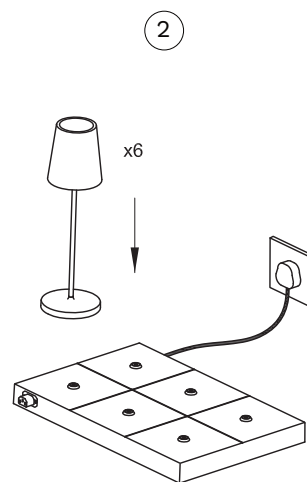


Single set

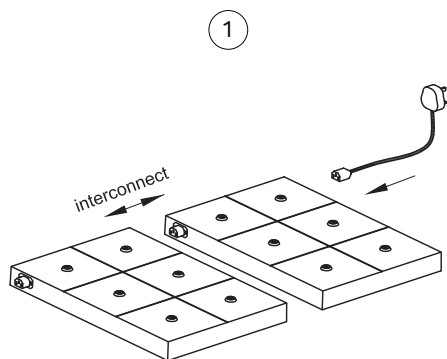


Click parts together

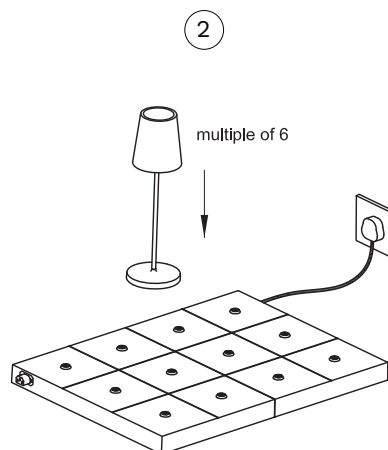


The luminaires can be applied on the charging base

Multi-connected set



Click parts together & plug it in power



The charging bases can be interconnected together
The luminaires can be applied on the charging base

