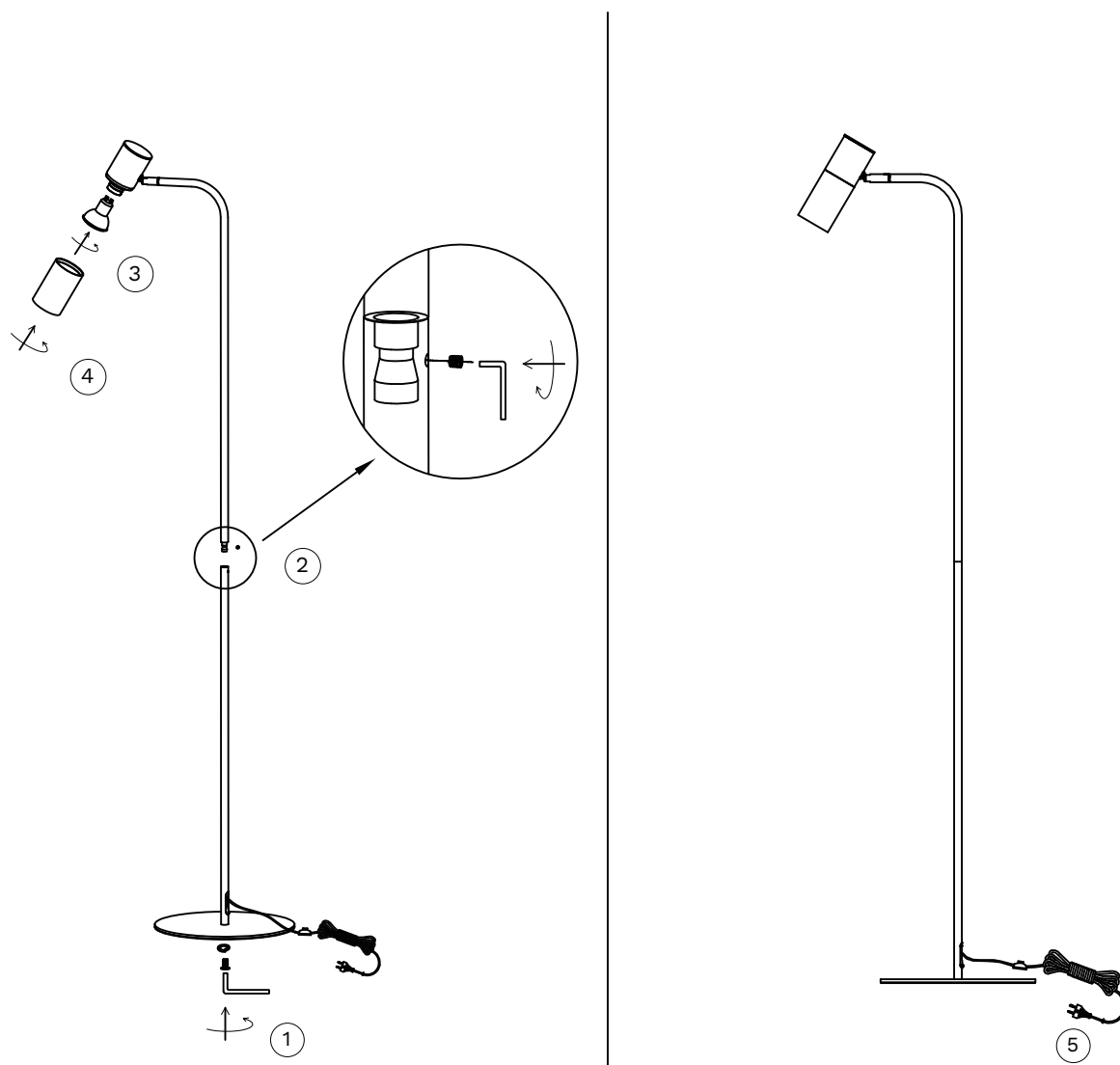


NOVA LUCE

9010226



1. Connect the pipe into the base by tidying up the screw
2. Connect the pipes together by rotating them
3. Insert the bulb
4. Apply the cap by rotate
5. Plug it in power to turn it on/ off

