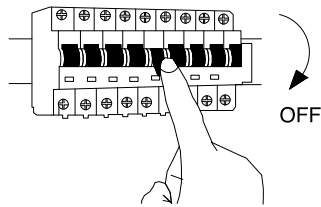
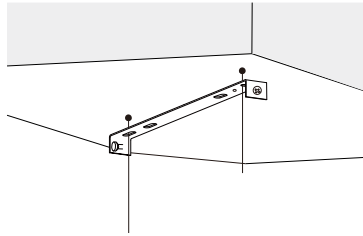


# NOVA LUCE

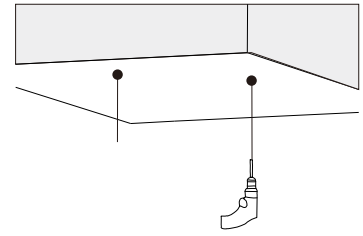
9005652



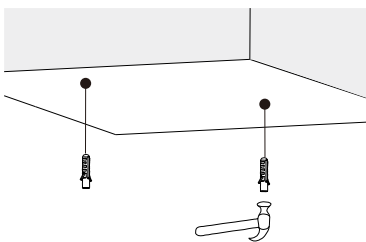
1. Turn off the general switch



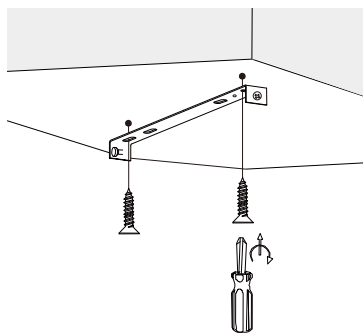
2. Mark where to drill holes



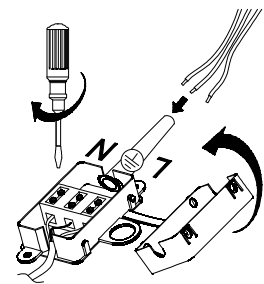
3. Drill on the marked areas



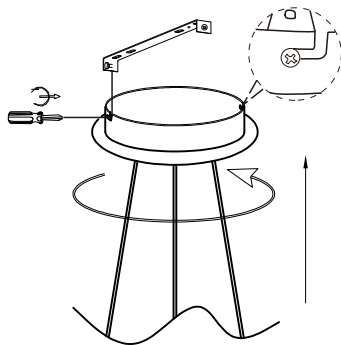
4. Apply plastic anchors



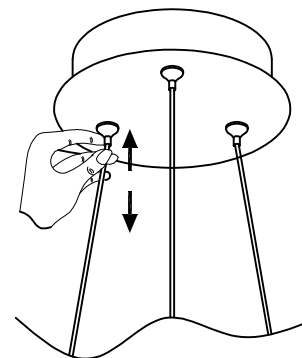
5. Apply screws



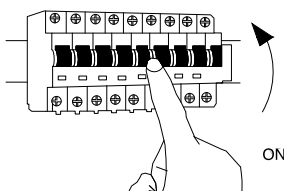
6. Connect the wires



7. Apply the product by rotating



8. Hanging elements stable



9. Turn on the general switch

