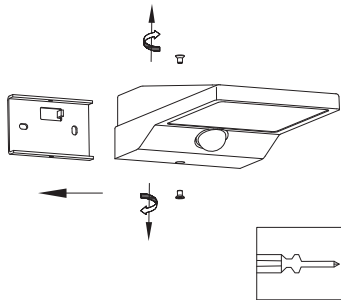
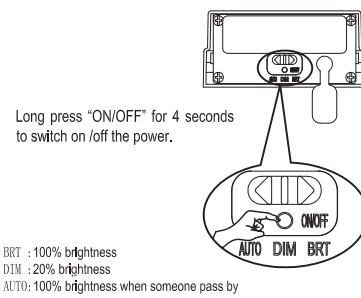


1



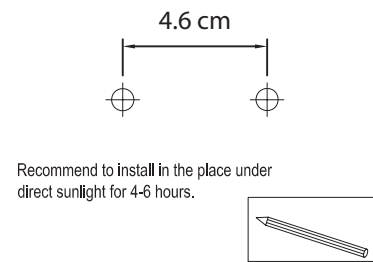
Dismantle parts by untying screws

2



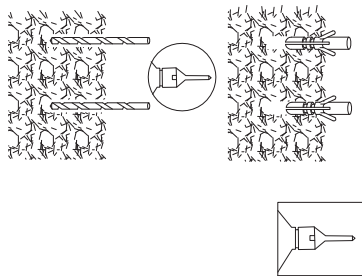
Make adjustments

3



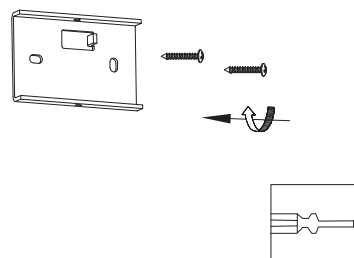
Mark holes

4



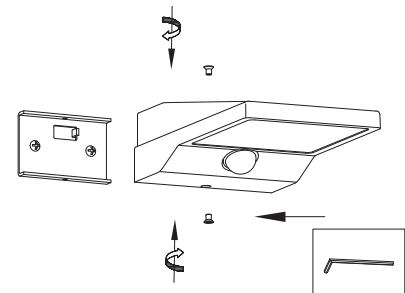
Drill holes & apply plastic anchors

5



Tie up screws to make it stable

6



Tie up screws to make it stable

7

